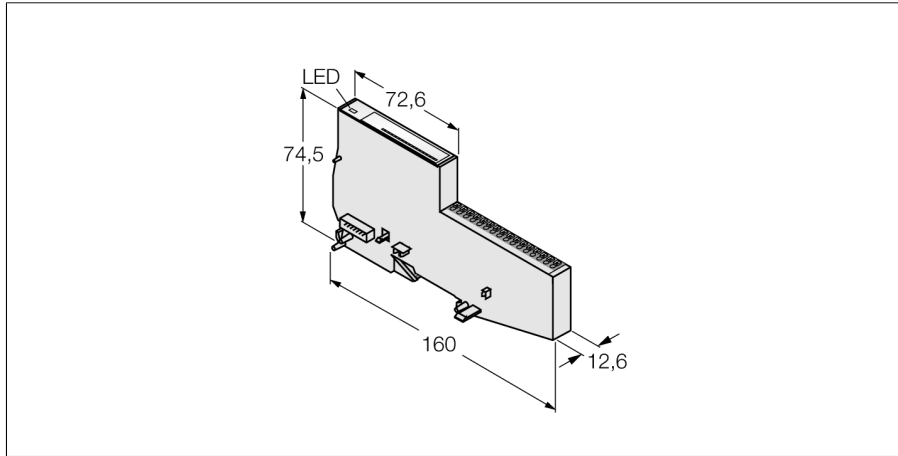


**BL20 Economy Module**  
**4 Analog Outputs for Current/Voltage**  
**BL20-E-4AO-U/I**



- Fieldbus-independent
- Electronics and connection technology in one housing
- Connectivity: Push-in terminals
- Protection class IP20
- LEDs indicate status and diagnostic
- Electronics galvanically separated from the field level via optocouplers
- 4 analog outputs
- 0 ... 20 mA, 4 ... 20 mA, -10 ... +10 VDC or 0 ... +10 VDC,
- Selectable per channel

<b>Type designation</b>	BL20-E-4AO-U/I
Ident-No.	6827328
<b>Number of channels</b>	4
Rated voltage from the supply terminal	24 VDC
Admissible range	18...30 VDC
Nominal current from field supply	≤ 130 mA
Nominal current from module bus	≤ 50 mA
Power dissipation, typical	≤ 2.6 W
<b>Output connectivity</b>	Push-in
<b>Outputs</b>	
Output type	0/4 ... 20 mA or -10/0 ... +10 VDC
Load resistance, resistive	< 0.45 kΩ (current) or > 1 kΩ (voltage) kΩ
Load resistance, inductive	< 0.01 mH (voltage mode) mH
Load resistance, capacitive	< 1 μF (current mode) μF
Electrical isolation	electronics for the field level
<b>Basic fault limit at 23 °C</b>	< 0.2 %
Temperature coefficient	< 200 ppm / °C of full scale
Resolution	16 Bit
Measured-value display	16 bit signed integer Presentation: 16 bit signed integer Presentation: 12 bit left-justified
Cycle time	≤ 50 ms
<b>Number of diagnostics bytes</b>	4
Number of parameter bytes	12
<b>Dimensions (W x L x H)</b>	12.6 x 160 x 74.6mm
Approvals	CE, Zone2, ClassI,Div.2.
Operating temperature	0 to +55 °C
Storage temperature	-25...+85 °C
Relative humidity	5 to 95% (internal), Level RH-2, no condensation (at 45 °C storage)
Vibration test	acc. to EN 61131
Shock test	acc. to IEC 68-2-27
Drop and topple	acc. to IEC 68-2-31 and free fall to IEC 68-2-32
Electromagnetic compatibility	acc. to EN 50,082-2
Protection class	IP20

**Functional principle**

Electronics and connection technology are integrated in the housing. A base module is not needed. Economy modules and modules with separate electronics and connection technology can be fitted into a station, provided the base modules feature tension spring connections.

The use of gateways makes economy modules completely independent from the higher level fieldbus.

**BL20 Economy Module**  
**4 Analog Outputs for Current/Voltage**  
**BL20-E-4AO-U/I**

Terminal assignment

